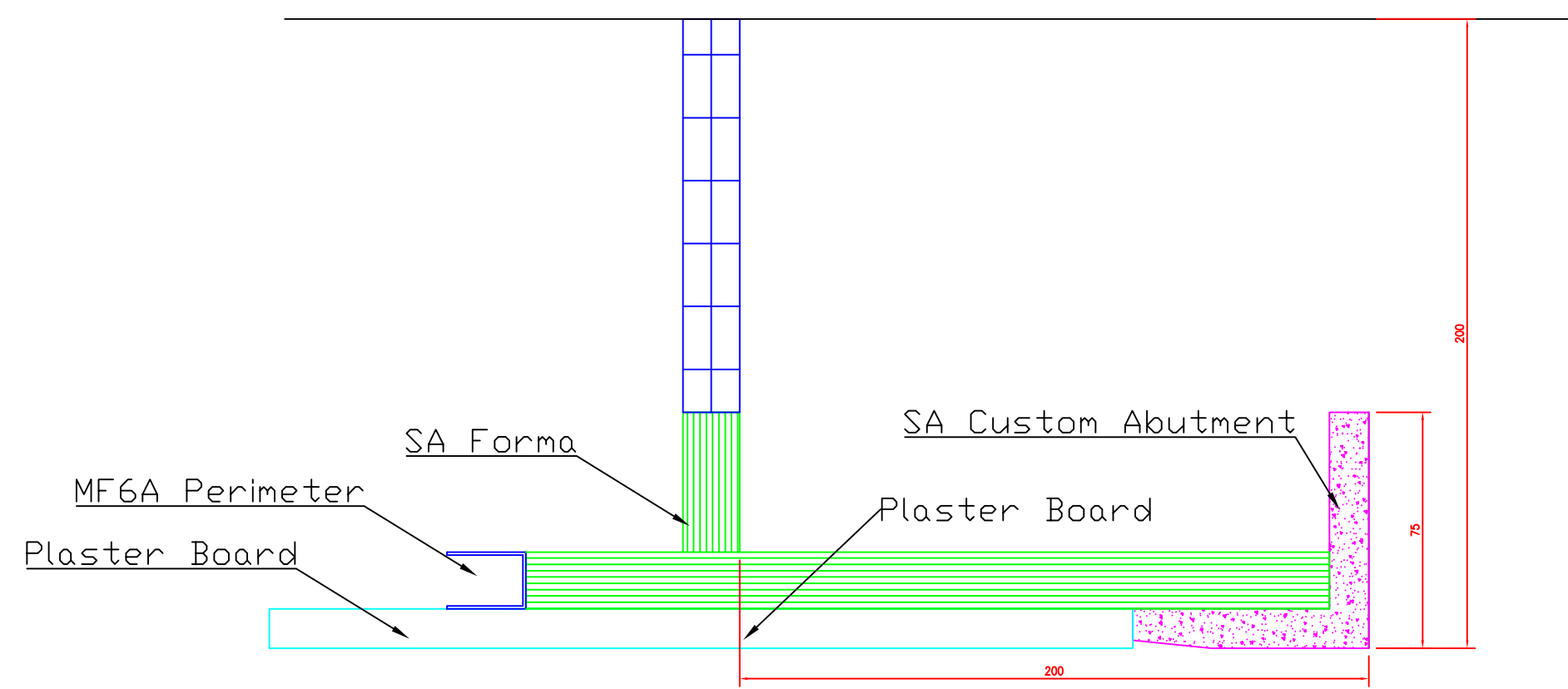
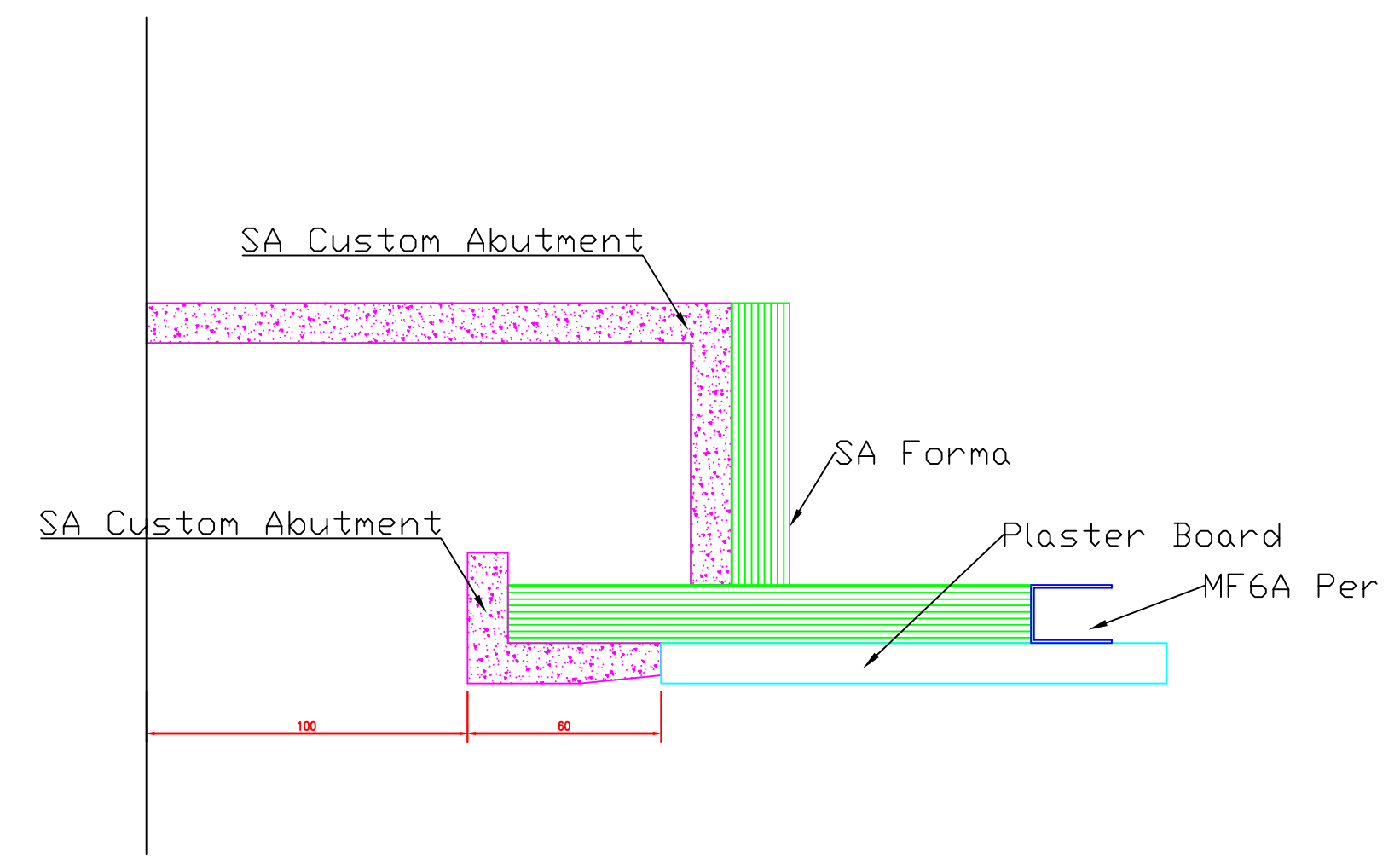


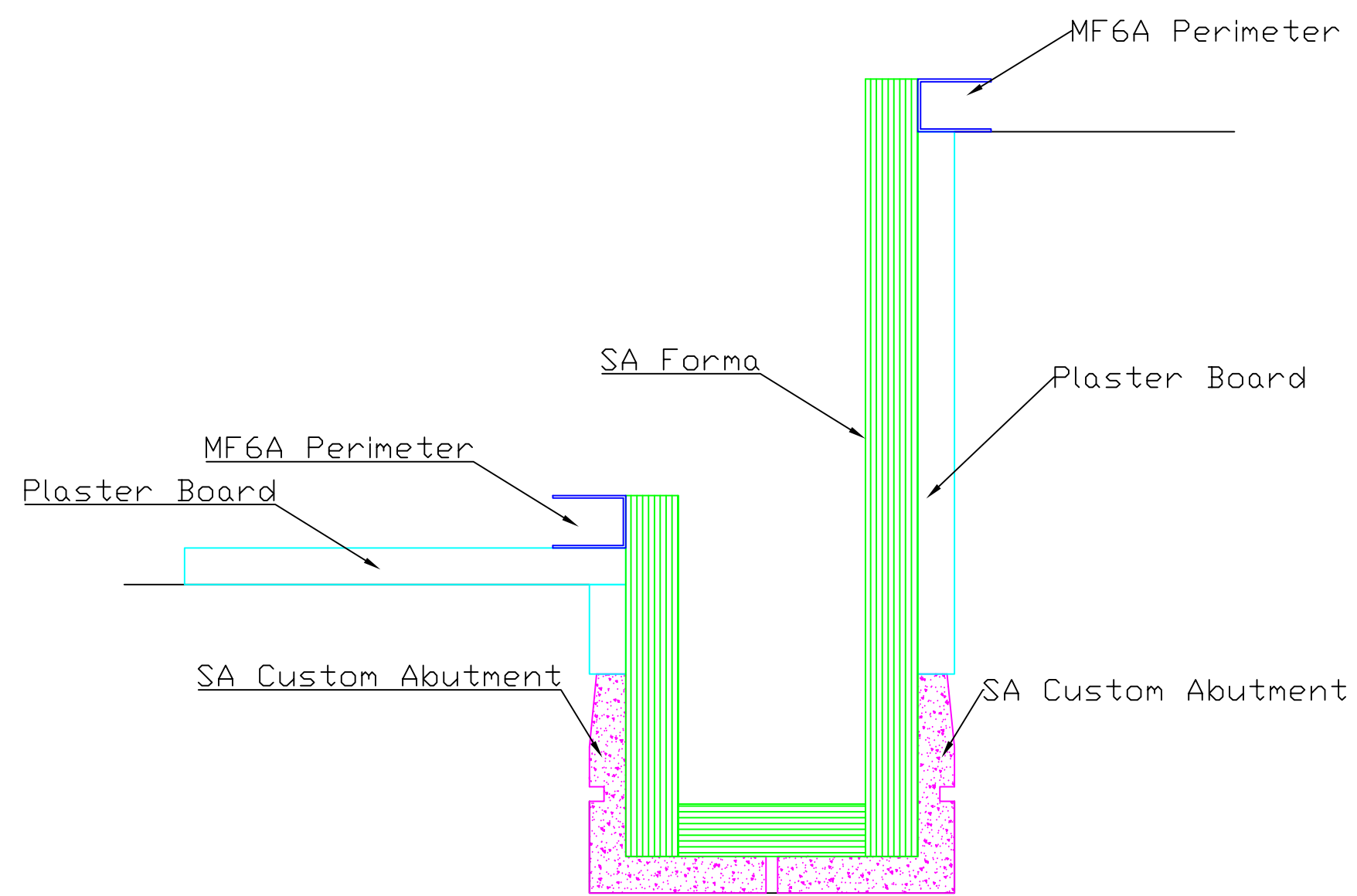
**DETAIL OF PERIMETER GLAZING PELMET**  
 (Scale 1:2)



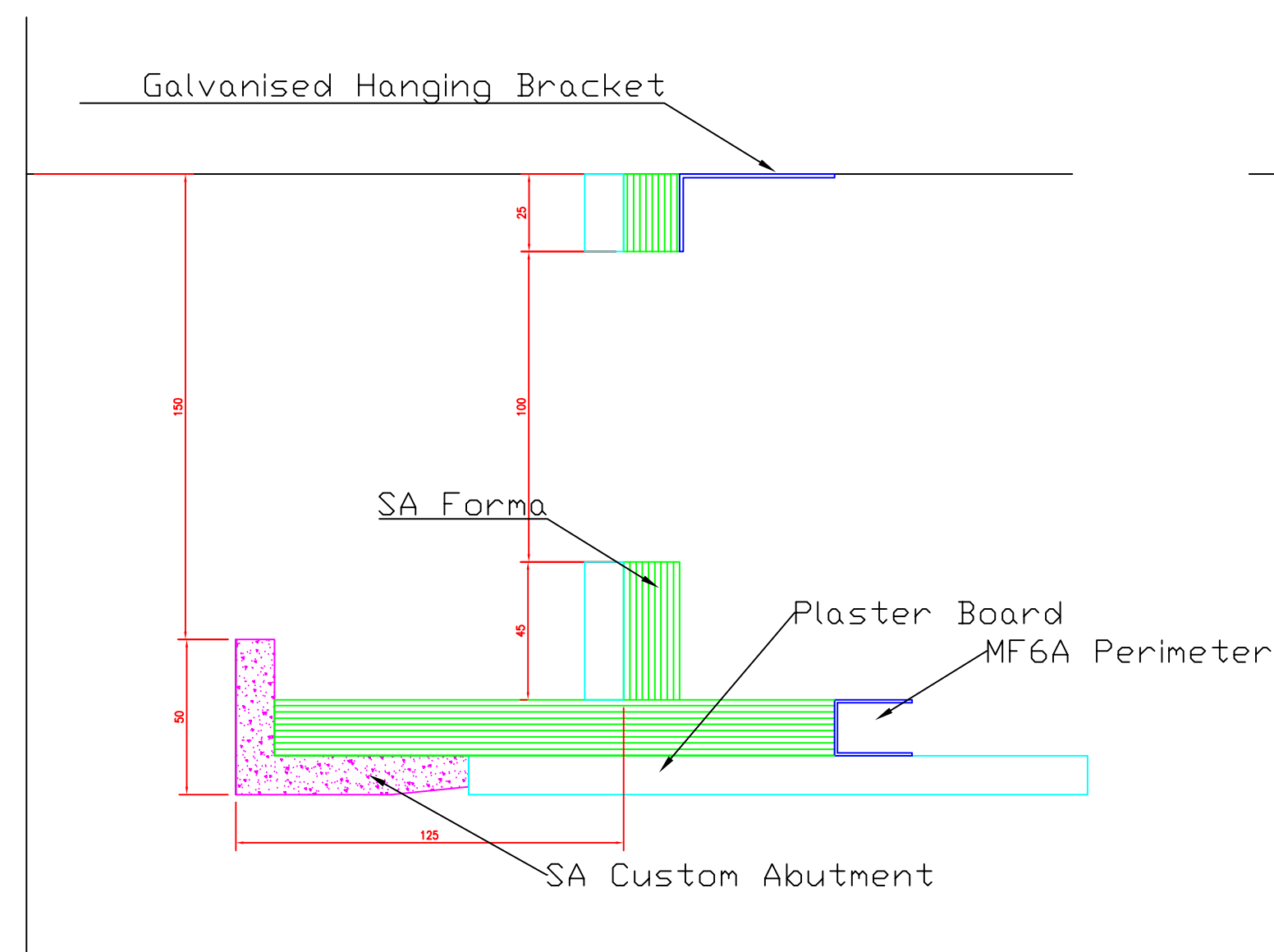
**DETAIL OF CEILING UP LIGHT COFFER**  
 (Scale 1:2)



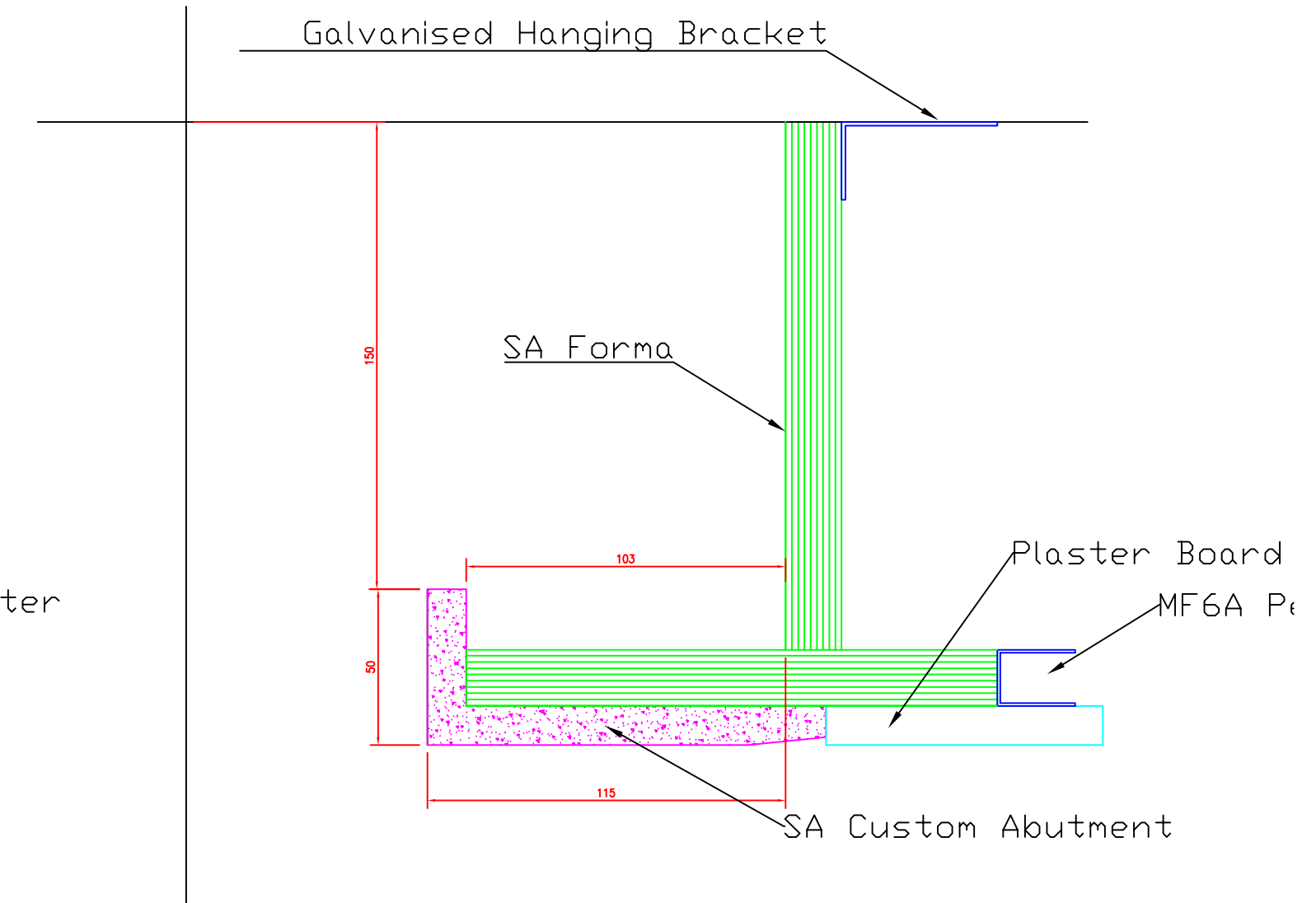
**DETAIL OF WALL-WASH LIGHT COVE**  
 (Scale 1:2)



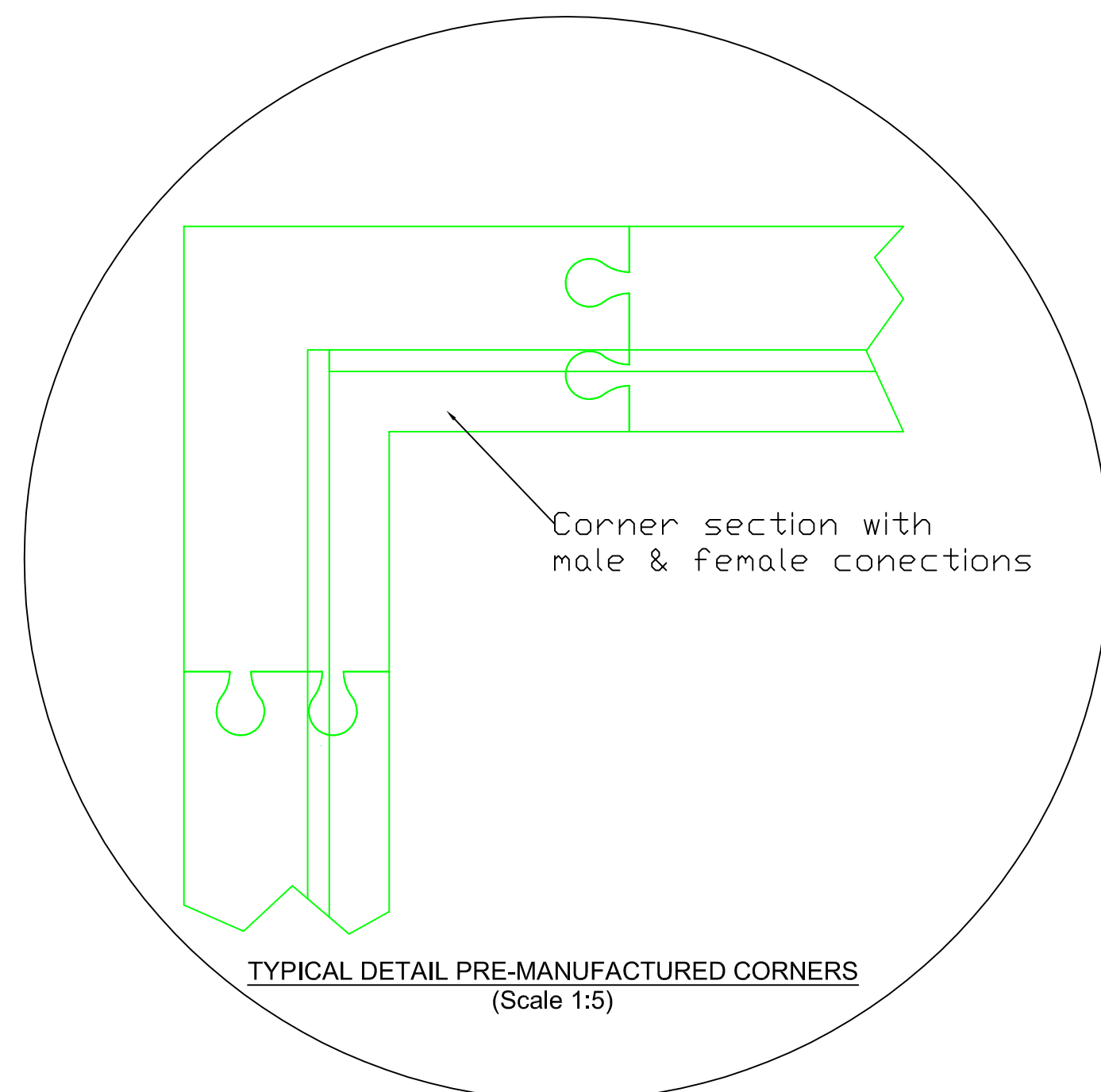
**DETAIL OF DOORWAY STEP UP THRESHOLD**  
 (Scale 1:2)



**DETAIL OF BATHROOM CEILING COFFER**  
 (Scale 1:2)



**DETAIL OF BATHROOM CEILING UP LIGHT COFFER**  
 (Scale 1:2)



**TYPICAL DETAIL PRE-MANUFACTURED CORNERS**  
 (Scale 1:5)



**Seamless Abutments  
 Solutions Ltd**

Solutions House  
 16 Bellrope House  
 Samford Road  
 Thaxted, Essex  
 CM6 2FE  
 ENGLAND  
 Tel: +44 1371 832 152  
 Fax: +44 1371 831 983  
 Email: info@seamlessabutments.com

Title  
**Chelsea Harbour  
 Ceiling Details**

Original Scale <b>1:2 @ AI</b>	Drawn <b>KR</b>	Date <b>29-10-15</b>
-----------------------------------	--------------------	-------------------------

Drawing Number  
**01**