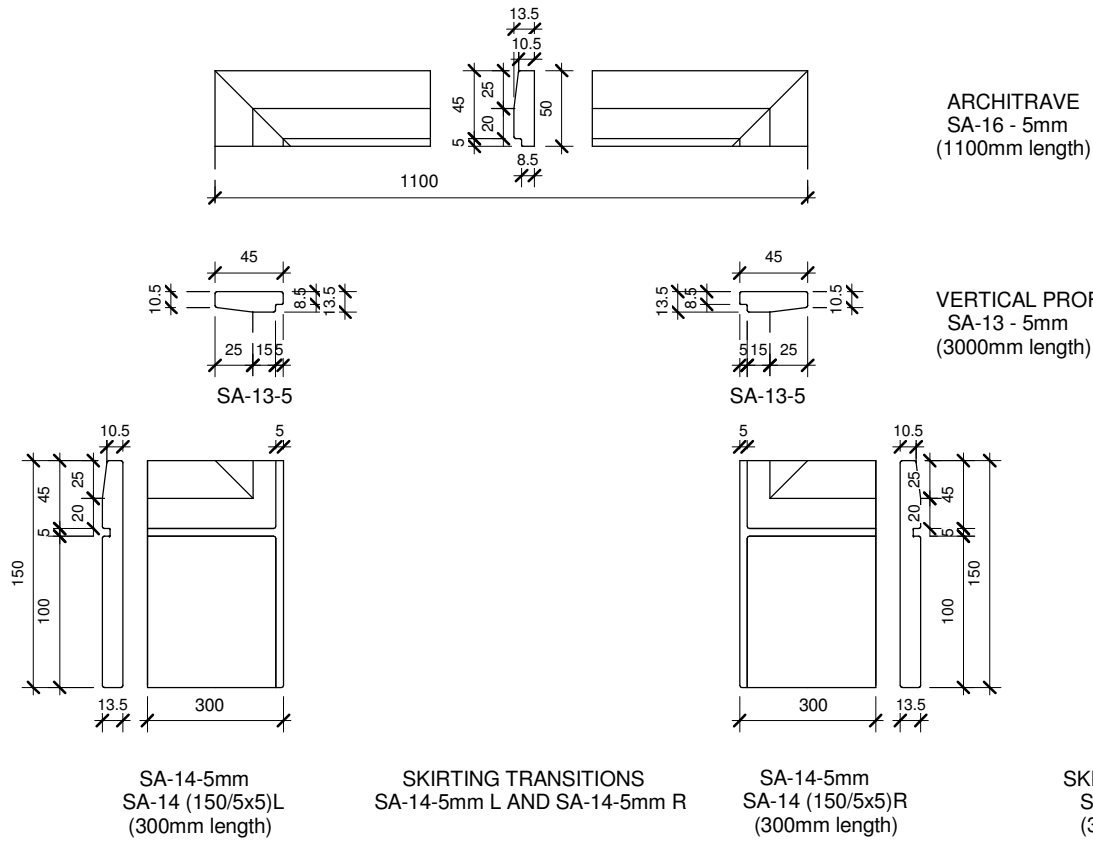
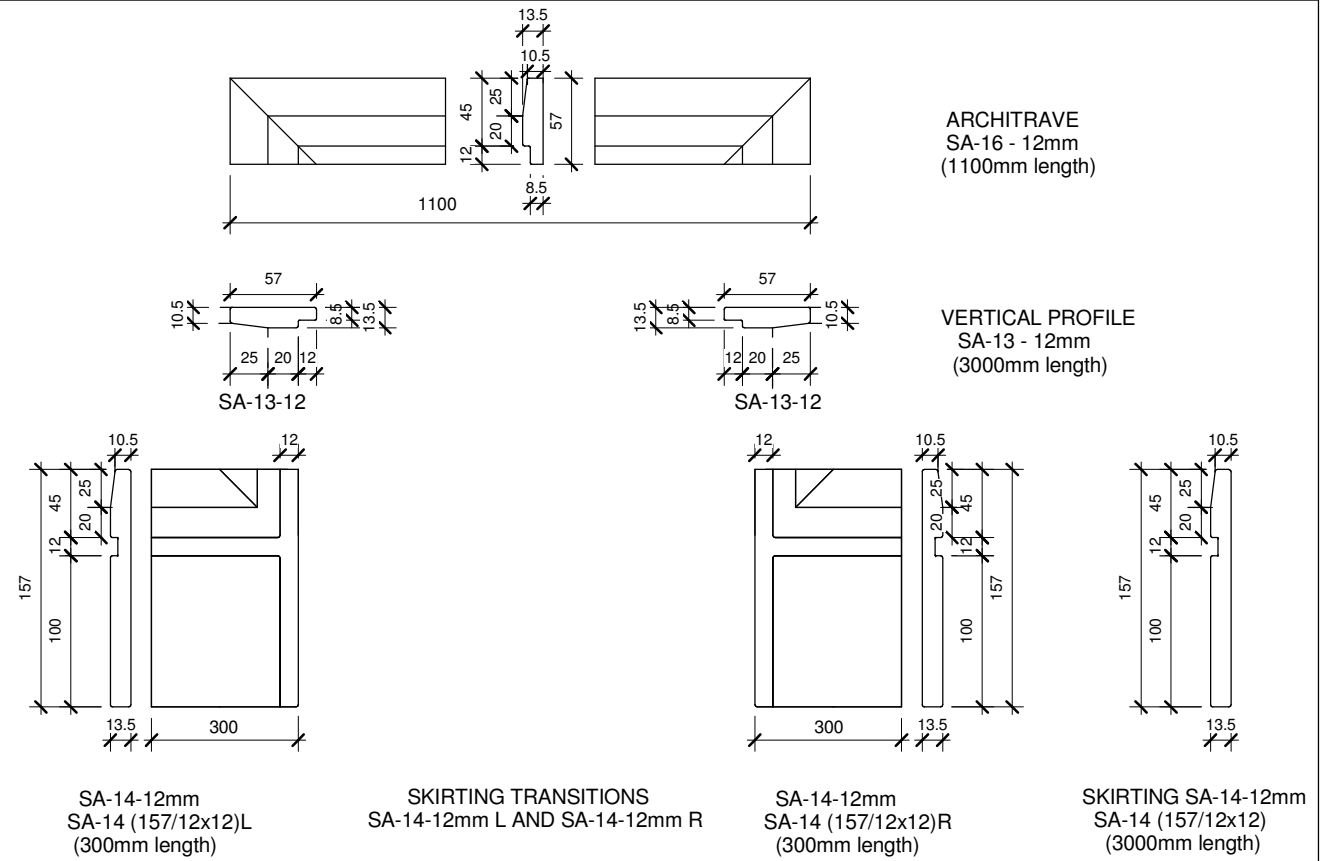


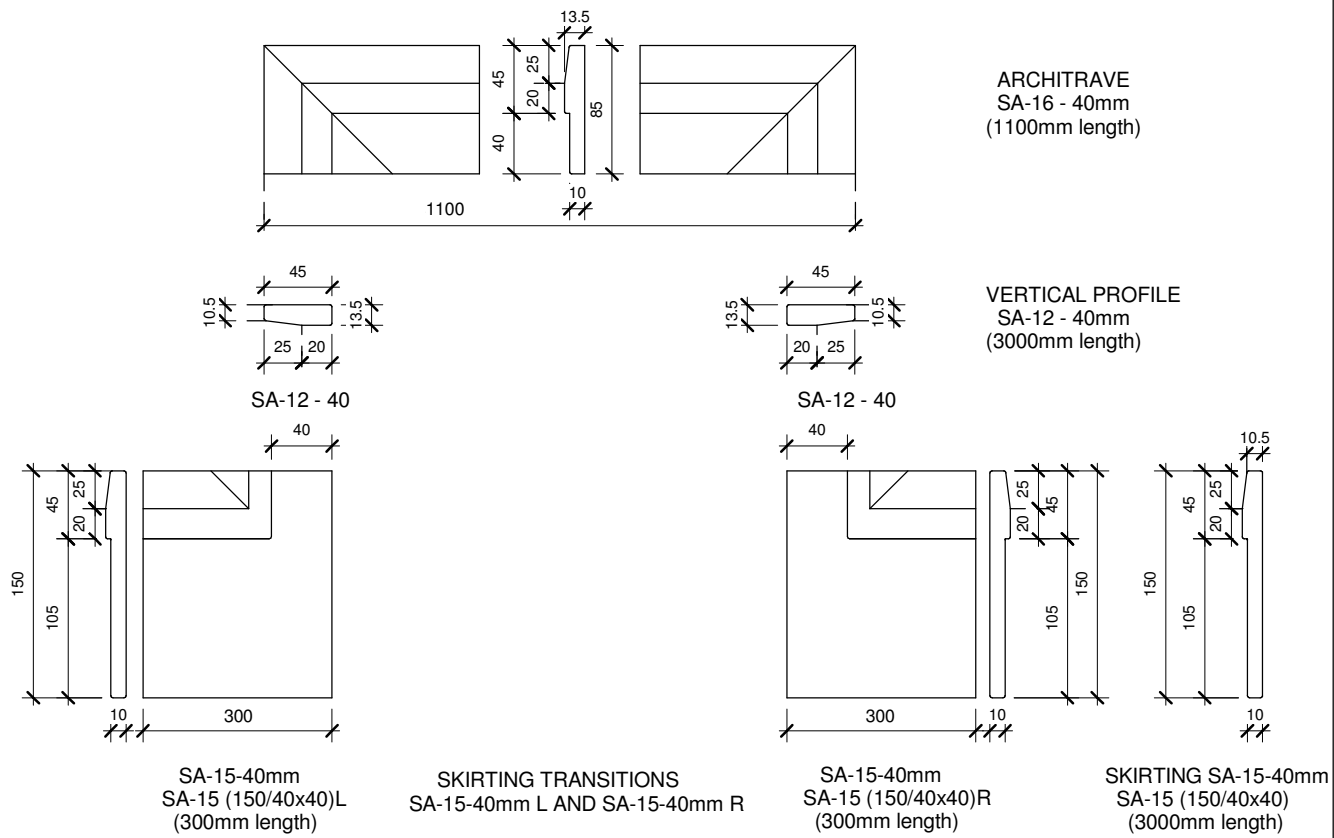
ARCHITRAVE DETAIL 1 - 5mm



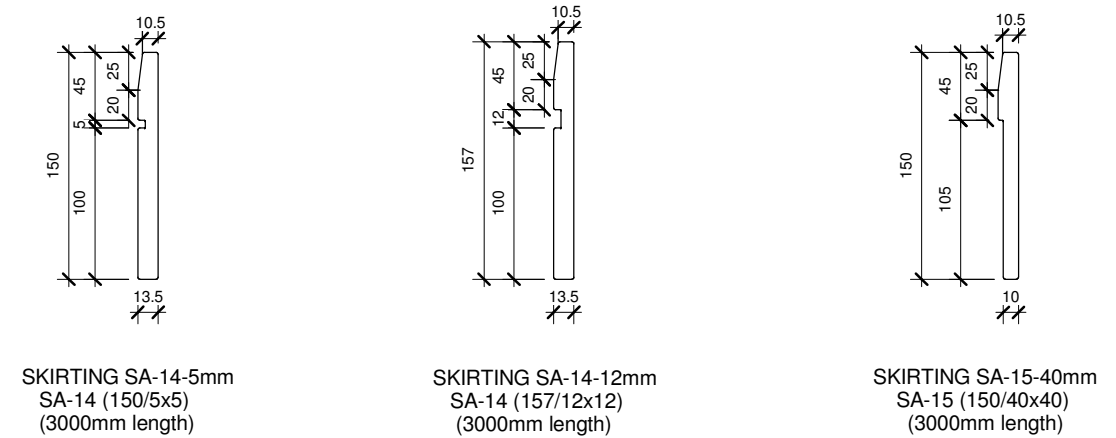
ARCHITRAVE DETAIL 2 - 12mm



ARCHITRAVE DETAIL 3 - 40mm



SKIRTING TYPES



Seamless Abutment Solutions Ltd  
Solutions House  
16 Bellrope Meadow  
Sampford Road  
Thaxted, Essex CM6 2FE  
ENGLAND

Tel: +44 1371 832 152  
Fax: +44 1371 831 983  
E-mail: info@seamlessabutments.com

Copyright: Copyright and design is owned by SA Solutions Ltd.  
Patent: Intellectual rights are owned by SA Solutions Ltd.  
UK Patent No: 2429022.

Date: 08-01-2013  
Drawn by: DF

Title: SA- Drywall range - architrave details and skirting types.  
Drawing No: SA- Drywall range - architrave details and skirting types.